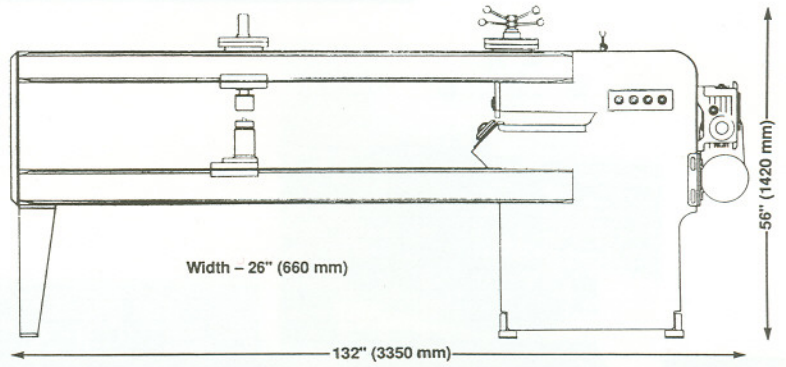


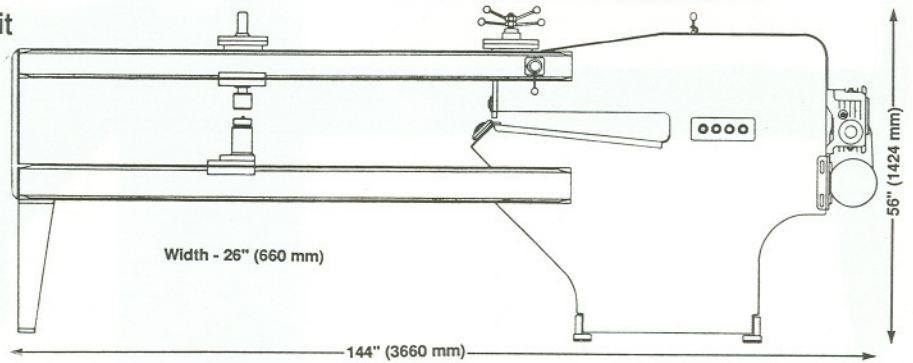
### Model No. 45—1/4" Capacity Ring & Circle Shear

- 3 HP—Drive Motor
- 1 HP, 1 Gal.—Hydraulic Power Unit
- Shipping Weight—1,800 lbs.



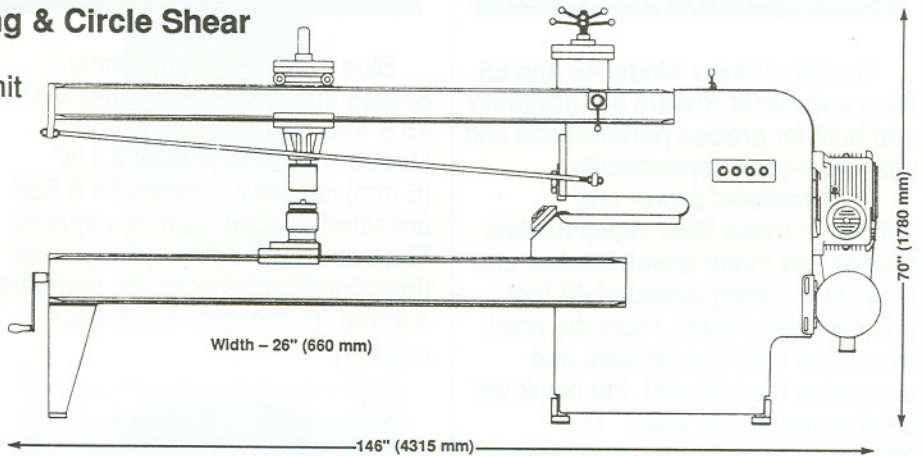
### Model No. 45B—1/4" Capacity Ring & Circle Shear

- 3 HP—Drive Motor
- 1 HP, 1 Gal.—Hydraulic Power Unit
- Shipping Weight—3,000 lbs.



### Model No. 65—3/8" Capacity Ring & Circle Shear

- 10 HP—Drive Motor
- 1 HP, 1 Gal.—Hydraulic Power Unit
- Shipping Weight—4,000 lbs.



### Model No. 65B—3/8" Capacity Ring & Circle Shear

- 10 HP—Drive Motor
- 1 HP, 1 Gal.—Hydraulic Power Unit
- Shipping Weight—5,500 lbs.

